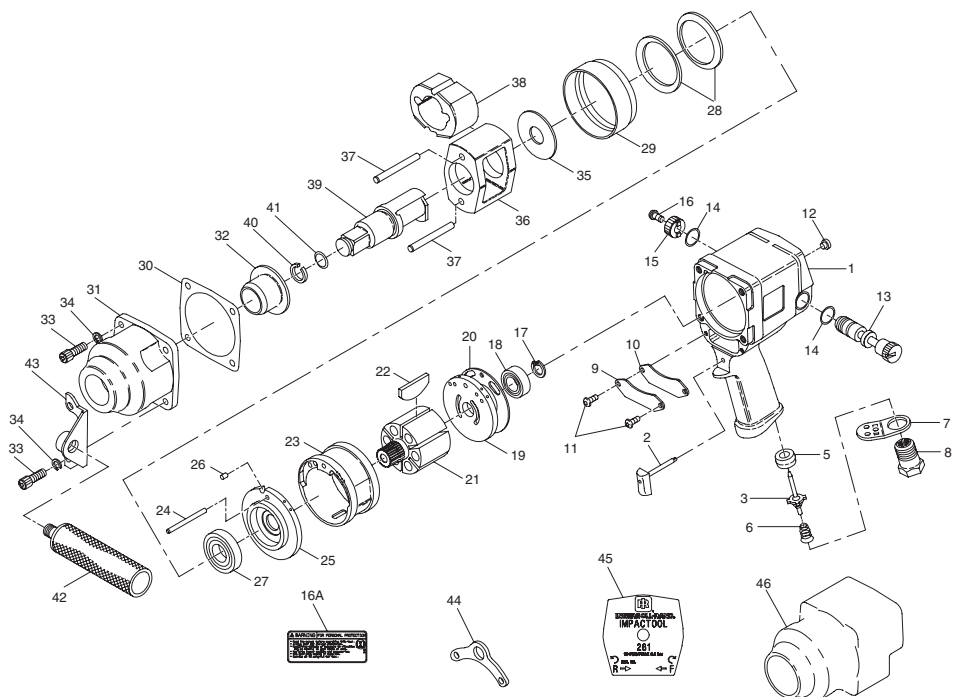


261 and 271 Series Air Impact Wrench Exploded Diagram



(Dwg. TPA972-2)

261 and 271 Series Air Impact Wrench Parts List

Item	Part Description	Part Number	Item	Part Description	Part Number		
1	Motor Housing Assembly	261-A40	36	Hammer Frame Assembly	2910-A703		
2	Trigger Assembly	2920P-A93	37	Hammer Pin (2)	2910-704		
3	Throttle Valve	2921-302	38	Hammer	260-724		
5	Throttle Valve Seat	DG230-303	39	Anvil Assembly 3/4" Square Drive for 261-3 and 261-3-EU for 261 and 261-EU 3/4" Square Drive with extended anvil for 261-6 and 261-6-EU 1" Square Drive for 271 and 271-EU	261-A626-3 1710-A626A		
6	Throttle Valve Spring	1720P-51					
7	Exhaust Deflector	1720P-23					
8	Inlet Bushing	2920P-465					
9	Housing Plate	1720P-230			265-A626-6		
10	Housing Plate Gasket	1720P-231			275-A626		
11	Housing Plate Screw (2)	FEA100-112					
12	Grease Fitting	130SR-188			40	Socket Retainer 3/4" for 261, 261-3, 261-6, 261-EU, 261-3-EU and 261-6-EU	908B5-918 910E5-918
13	Reverse Valve	1710B-329					
14	Reverse Valve Seal (2)	261-283					
15	Reverse Valve Knob	231-666					
16	Reverse Valve Knob Screw	231-665	41	Socket Retainer O-Ring for 261, 261-3, 261-6, 261-EU, 261-3-EU and 261-6-EU	AF120-289 R4-210		
16A	Warning Label	WARNING-2-99					
17	Rear Rotor Bearing Retainer	MVA008-218					
18	Rear Rotor Bearing	4E-510	42	Handle (for 271 and 271-EU)	834-48		
19	Rear End Plate	2921HP-12					
20	Rear End Plate Gasket	2920B-283	43	Bracket (for 271 and 271-EU)	2910B-364		
21	Rotor	2910B-53	44	Horizontal Hanger	910-366		
22	Vane Packet (set of 6 Vanes)	2910-42-6	45	Nameplate for 261, 261-3, 261-6 261-EU, 261-3-EU and 261-6-EU for 271 and 271-EU	261-301 271-301		
23	Cylinder	2920-3					
24	Cylinder Dowel	910-98					
25	Front End Plate	2921HP-11					
26	End Plate Dowel	2920-74					
27	Front Rotor Bearing	834-24	46	Housing Boot	261-P32		
28	Motor Clamp Washer (2)	2920-207					
29	Motor Retainer	2920B-800					
30	Hammer Case Gasket	910-36					
31	Hammer Case Assembly	261B-A727					
32	Hammer Case Bushing	2920-641					
33	Hammer Case Cap Screw (4)	34U-103					
34	Cap Screw Lock Washer (4)	T11-58					
35	Rear Hammer Frame Washer	910-706	*	Tune-up Kit (includes illustrated parts, 3, 5, 6, 10, 14[2], 17, 18, 20, 22, 27, 30, 40 and 41)	261-TK2		

* Not illustrated.

Parts and Maintenance

When the life of the tool has expired, it is recommended that the tool be disassembled, degreased and parts be separated by material so that they can be recycled.

Tool repair and maintenance should only be carried out by an authorized Service Center.

Refer all communications to the nearest **Ingersoll-Rand** Office or Distributor.

Related Documentation

For additional information refer to:

Air Impact Wrench Product Safety Information Manual Form 04580916,

Air Impact Wrench Product Information Manual Form 04584744.

Manuals can be downloaded from www.irtools.com.



www.irtools.com

© 2005 Ingersoll-Rand Company

Form 04584413

Edition 2

July 2005